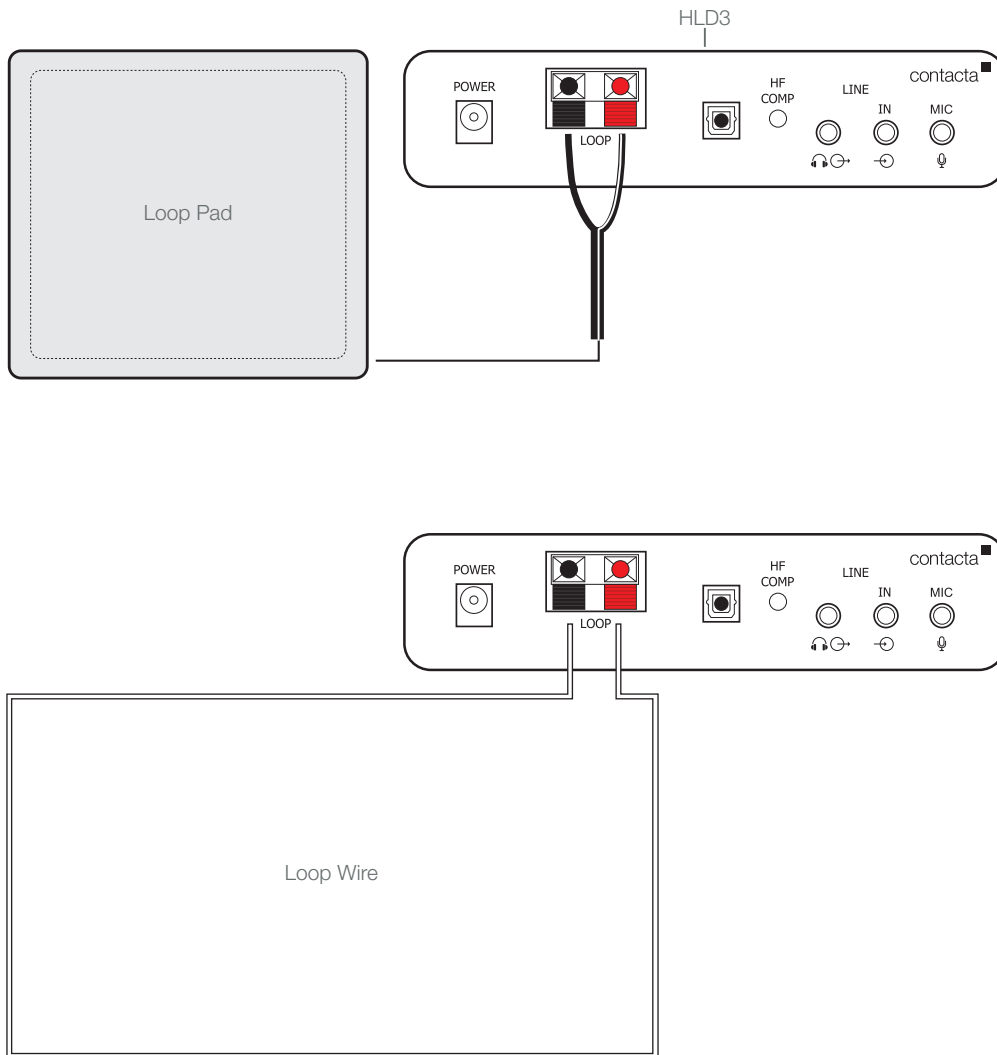


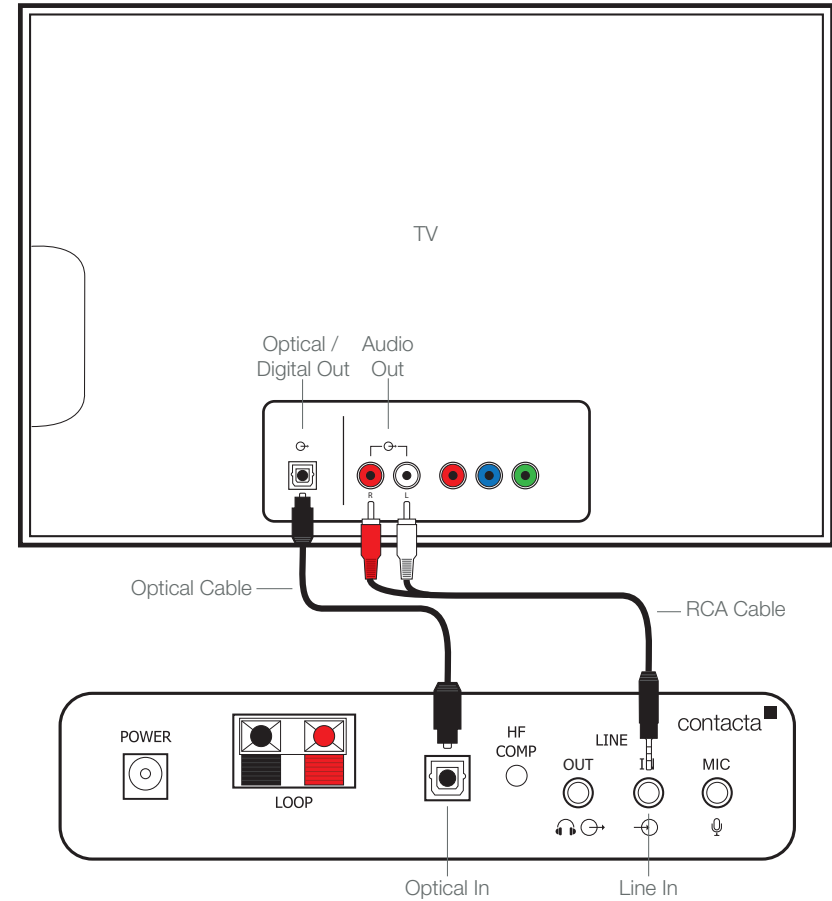
HLD3 Quick Install Guide

Please note: Illustrations are not to scale

1 Install the loop pad **or** the loop wire



2 Connect to the TV using the optical **or** the RCA cable



3 Adjust the volume on the driver and hearing aid

